

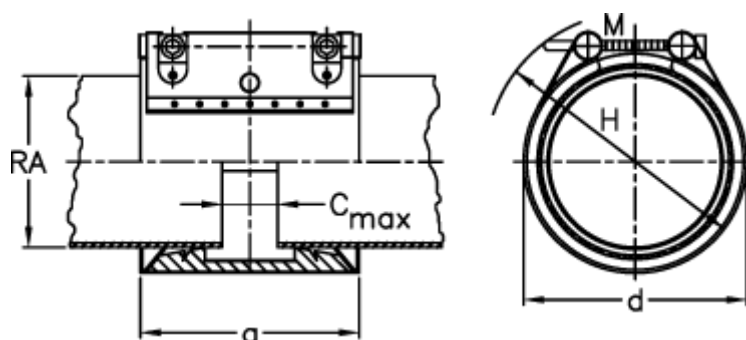
# Data Sheet



Article number: 025778400273

Description: Norma Connect pipe coupling  
GRIP W2 Ø=273,0 NBR, 9 bar

## Measures



a	= 142
C max with insertion band	= 35
d	= 305
H	= 335
M (screw)	= M16
Nominal pressure (bar)	= 9
RA	= 273
RA min-RA max	= 270,3 - 275,7

Weight a piece = 8